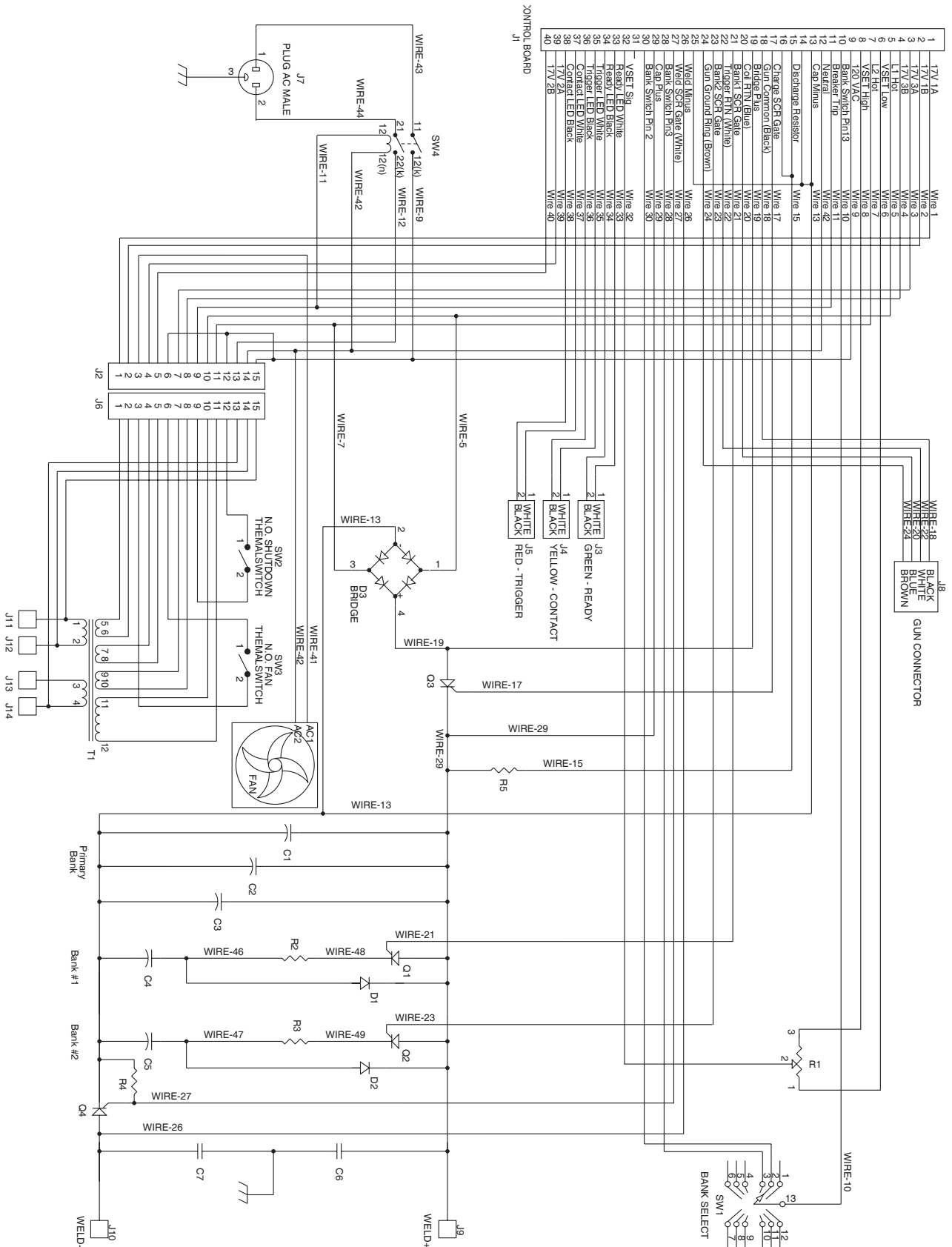


Section 8

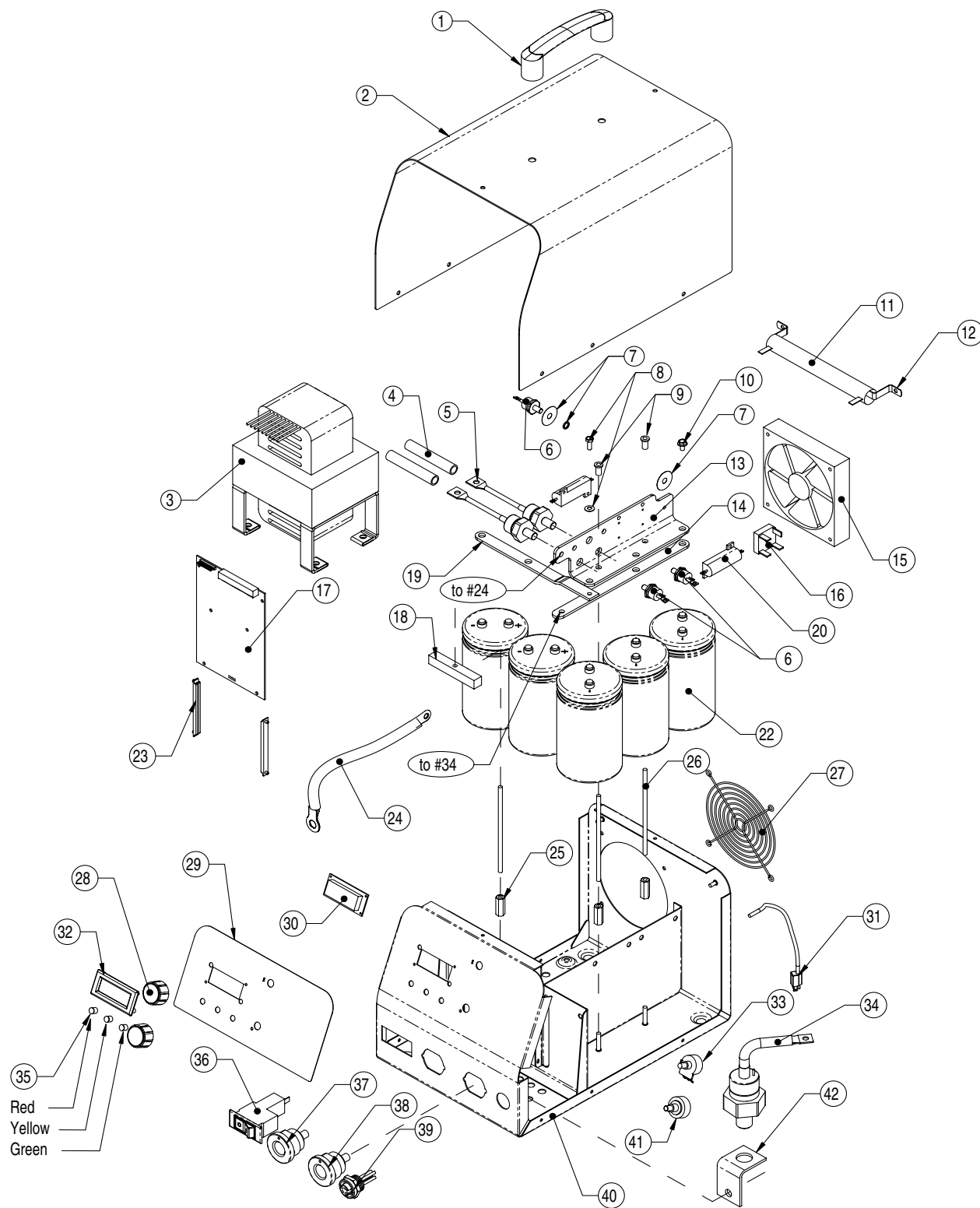
Schematic Diagram

Revision D



Section 9

Parts List



Section 9

Parts List

Item	Description	Part Number
01	Handle	PKM111
	Handle Screw	PPC31-62ZP
02	Sheet Metal Cover	PKS240
	Cover Screws	HSC19-37ZP
03	Transformer	PKE501
	Transformer Mounting Nut	NUC25-50
	Transformer Mounting Screw	PPC25-50ZP
	Transformer Voltage Select Jumper	PKH002
04	Diode Insulator	EI001
05	Bank Select Diode	ED5004
06	SCR	ESR5006SM
07	SCR Insulator Kit	EI002
08	#10-32 X 1/2 Hex Screw	HBC19F-50ZP
	#10 Bellville Washer	WBC19
09	Isolator Shoulder Washer	WSN20-40-06X26-50
10	#10-32 x 3/8 Hex Screw	HBC19F-37ZP
11	Discharge Resistor	ER100W-100
12	Resistor Bracket	ERB-50
13	Positive Buss Bar	PKE2210
14	Negative Buss Bar #1	PKE2220
15	Cooling Fan	PKE900
	Fan Mounting Screw	BHC16-125
16	Bridge Rectifier	EBR03504Q
17	Control Printed Circuit Board	PKP101
18	Capacitor Retention Block	PKK300
19	Negative Buss Bar #2	PKE2230
20	Charge Resistor	ER50W-10A
	Charge Resistor Mounting Screw	PPC11-37ZP
22	Weld Capacitor	EC200-22KE
	Capacitor Retention Strap	CTN19-14.5
23	Card Guide	PKK101
24	Positive Jumper	CW2SR-.65
25	Coupling Nut	NCC19-75ZP
26	Connector Stud	TRC19-5
27	Fan Guard	PKM900

Item	Description	Part Number
28	Knob	PAM110
29	Face Plate Decal	PKD225
30	Voltage Meter	PKE101
31	Power Cord	PKE9000
	Cord Grip	PKM50
32	Meter Bezel	PKM101
	Bezel Push Nut	PKM102
33	Capacitance Selector Switch	PKE2
34	Weld SCR	PKE4
35	Red LED Lens	PKM81
	Yellow LED Lens	PKM82
	Green LED Lens	PKM83
	Red LED	ELED-R5
	Yellow LED	ELED-A5
36	Green LED	ELED-G5
	Power Switch/Breaker	PKE101
37	Red Ground (+ pos) Cable Connector	CCL1/ORFR
38	Black Weld Cable (- neg) Connector	CCL1/ORFB
39	Control Cable Connector	CSS4MR
40	Chassis	PKC225
41	Voltage Select Potentioneter	ERV25-500
42	Weld SCR Mounting Bracket	PKE2120

Items Not Shown		
43	Wiring Harness	PKH001
44	Filter Network Weld Output	PAE801
45	Weld Capacitor Tie Down Strap	CTN19-14.5