



FEET & LEGS *Standard*

C D A C C E S S O R I E S

CD Standard Feet

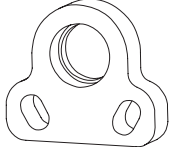


Figure A

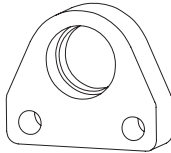


Figure B

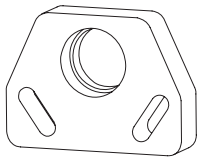
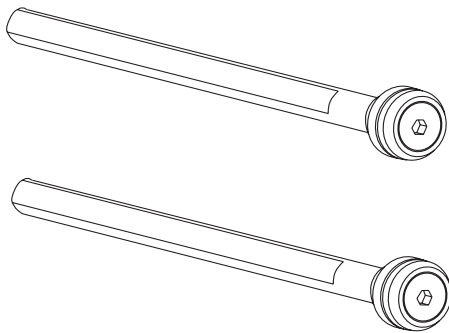


Figure C

Leg Hole Dia	Gun Style	Foot Description Accepts Standard Spark Shield
3/8	Image NS-20 Erico	FTM20
		FIG A
5/16	NS-30 NS-40	FTM30
		FIG B
3/8	Bantam	FTMB
		FIG C

CD Standard Legs



Diameter	Length	Part Number
5/16	7	L31-7
5/16	9	L31-9
5/16	14	L31-14
3/8	7	L37-7
3/8	9	L37-9
3/8	14	L37-14

Be sure and check the leg diameter when looking for replacements. Image, Nelson NS-20 and Erico Guns use 3/8 in. diameter legs. Nelson NS-30 and NS-40 use 5/16 in. diameter legs.

The ends of Image legs are brass to prevent weld spatter from building up on them. A new leg comes complete with the special washer and screw. The special washer and screws are available as a separate item.

NOTE: Legs are sold individually, so if you need a pair be sure and order two.