

AP WELD Studs

Mild Steel

		BODY DIAMETER & THREAD PITCH							
		4-40	6-32	8-32	10-24	10-32	1/4-20	5/16-18	3/8-16
Length	1/4	APC11-25	APC13-25	APC16-25	APC19-25	APC19F-25	APC25-25		
	5/16	APC11-31	APC13-31	APC16-31	APC19-31	APC19F-31	APC25-31		
	3/8	APC11-37	APC13-37	APC16-37	APC19-37	APC19F-37	APC25-37		
	1/2	APC11-50	APC13-50	APC16-50	APC19-50	APC19F-50	APC25-50	APC31-50	
	5/8	APC11-62	APC13-62	APC16-62	APC19-62	APC19F-62	APC25-62	APC31-62	APC37-62
	3/4	APC11-75	APC13-75	APC16-75	APC19-75	APC19F-75	APC25-75	APC31-75	APC37-75
	7/8	APC11-87	APC13-87	APC16-87	APC19-87	APC19F-87	APC25-87	APC31-87	APC37-87
	1	APC11-1	APC13-1	APC16-1	APC19-1	APC19F-1	APC25-1	APC31-1	APC37-1
	1 1/4	APC11-125	APC13-125	APC16-125	APC19-125	APC19F-125	APC25-125	APC31-125	APC37-125
	1 1/2	APC11-150	APC13-150	APC16-150	APC19-150	APC19F-150	APC25-150	APC31-150	APC37-150
	1 3/4	APC11-175	APC13-175	APC16-175	APC19-175	APC19F-175	APC25-175	APC31-175	APC37-175
2	APC11-2	APC13-2	APC16-2	APC19-2	APC19F-2	APC25-2	APC31-2	APC37-2	
Max L	Up to 3" is considered a stocking size. Beyond 3" is a custom order.								
Flange Diameter	.144 ± .010"	.168 ± .010"	.194 ± .010"	.220 ± .010"	.220 ± .010"	.280 ± .010"	.340 ± .010"	.405 ± .010"	

STANDARD ACCESSORIES DRAWN ARC CD OR SHORT CYCLE (use long-life spark shield)									
Chuck	C11	C13	C16	C19	C19	C25	C31	C37	
Foot	FTS20	FTS20	FTS20	FTS20	FTS20	FTS20	FTS20	FTS20	FTS20
Std Spark Shield	SS	SS	SS	SS	SS	SS	SS	SS	SS
Long-Life Spark Shield	BSS	BSS	BSS	BSS	BSS	BSS	BSS	BSS	BSS

STANDARD ACCESSORIES GAS ARC OR SHORT CYCLE GAS ARC									
Chuck	C11	C13	C16	C19	C19	C25	C31	C37	
Gas Arc Foot	FTMA20	FTMA20	FTMA20	FTMA20	FTMA20	FTMA20	FTMA20	FTMA20	FTMA20
Gas Arc Spark Shield	SSBG	SSBG	SSBG	SSBG	SSBG	SSBG	SSBG	SSBG	SSBG

MECHANICAL PROPERTIES									
(see appendix tables for calculation details particularly when comparing different manufacturers)									
Min Working Tensile	194 lb	307 lb	473 lb	592 lb	675 lb	1,074 lb	1,770 lb	2,615 lb	
Min Yield Shear	166 lb	262 lb	404 lb	506 lb	577 lb	918 lb	1,513 lb	2,236 lb	
Min Working Torque	4 in•lb	8 in•lb	16 in•lb	22 in•lb	26 in•lb	4.5 ft•lb	9.3 ft•lb	16.3 ft•lb	
Min Yield Torque	5.1 in•lb	10.2 in•lb	18.6 in•lb	27 in•lb	30.8 in•lb	5.4 ft•lb	11.1 ft•lb	19.6 ft•lb	

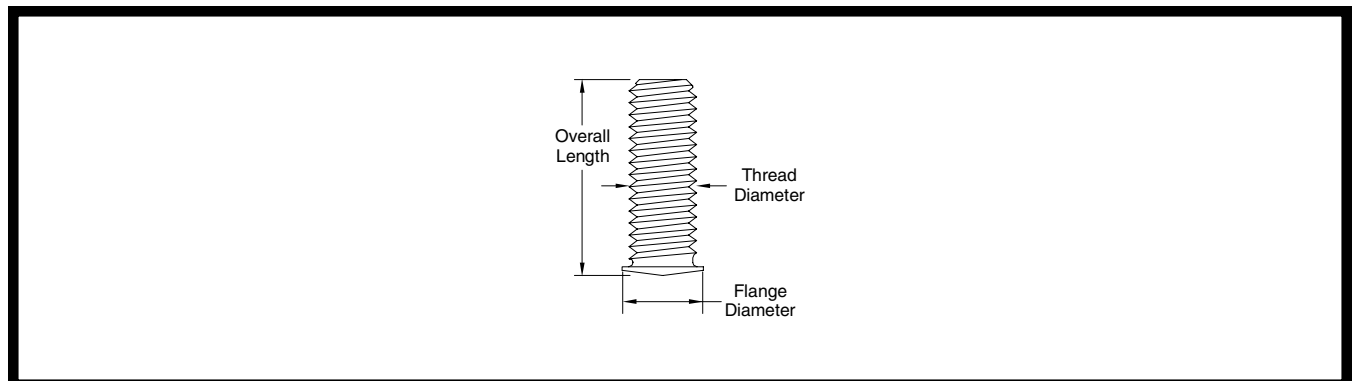


IMAGE INDUSTRIES INC.

382 Balm Court • Wood Dale, IL 60191 USA

Tel: (630) 766-7373 • (800) 722-7883 • Fax: (630) 766-2402

		BODY DIAMETER & THREAD PITCH							
		4-40	6-32	8-32	10-24	10-32	1/4-20	5/16-18	3/8-16
LENGTH	1/4	APS11-25	APS13-25	APS16-25	APS19-25	APC19F-25	APC25-25		
	5/16	APS11-31	APS13-31	APS16-31	APS19-31	APC19F-31	APC25-31		
	3/8	APS11-37	APS13-37	APS16-37	APS19-37	APC19F-37	APC25-37		
	1/2	APS11-50	APS13-50	APS16-50	APS19-50	APC19F-50	APC25-50	APS31-50	
	5/8	APS11-62	APS13-62	APS16-62	APS19-62	APC19F-62	APC25-62	APS31-62	APS37-62
	3/4	APS11-75	APS13-75	APS16-75	APS19-75	APC19F-75	APC25-75	APS31-75	APS37-75
	7/8	APS11-87	APS13-87	APS16-87	APS19-87	APC19F-87	APC25-87	APS31-87	APS37-87
	1	APS11-1	APS13-1	APS16-1	APS19-1	APC19F-1	APC25-1	APS31-1	APS37-1
	1 1/4	APS11-125	APS13-125	APS16-125	APS19-125	APC19F-125	APC25-125	APS31-125	APS37-125
	1 1/2	APS11-150	APS13-150	APS16-150	APS19-150	APC19F-150	APC25-150	APS31-150	APS37-150
	1 3/4	APS11-175	APS13-175	APS16-175	APS19-175	APC19F-175	APC25-175	APS31-175	APS37-175
	2	APS11-2	APS13-2	APS16-2	APS19-2	APC19F-2	APC25-2	APS31-2	APS37-2
Max L		Up to 3" is considered a stocking size. Beyond 3" is a custom order.							
Flange Diameter		.144 ± .010"	.168 ± .010"	.194 ± .010"	.220 ± .010"	.220 ± .010"	.280 ± .010"	.340 ± .010"	.405 ± .010"

STANDARD ACCESSORIES DRAWN ARC CD OR SHORT CYCLE (use long-life spark shield)								
Chuck	C11	C13	C16	C19	C19	C25	C31	C37
Foot	FTS20	FTS20	FTS20	FTS20	FTS20	FTS20	FTS20	FTS20
Std Spark Shield	SS	SS	SS	SS	SS	SS	SS	SS
Long-Life Spark Shield	BSS	BSS	BSS	BSS	BSS	BSS	BSS	BSS
STANDARD ACCESSORIES GAS ARC OR SHORT CYCLE GAS ARC								
Chuck	C11	C13	C16	C19	C19	C25	C31	C37
Gas Arc Foot	FTMA20	FTMA20	FTMA20	FTMA20	FTMA20	FTMA20	FTMA20	FTMA20
Gas Arc Spark Shield	SSBG	SSBG	SSBG	SSBG	SSBG	SSBG	SSBG	SSBG

MECHANICAL PROPERTIES								
(see appendix tables for calculation details particularly when comparing different manufacturers)								
Min Working Tensile	117 lb	184 lb	284 lb	355 lb	405 lb	644 lb	1,062 lb	1,569 lb
Min Yield Shear	100 lb	157 lb	242 lb	303 lb	346 lb	551 lb	908 lb	1,341 lb
Min Working Torque	3.0 in•lb	5.0 in•lb	9.0 in•lb	13.0 in•lb	15.0 in•lb	2.7 ft•lb	5.5 ft•lb	9.8 ft•lb
Min Yield Torque	3.0 in•lb	6.0 in•lb	11.0 in•lb	16.0 in•lb	18.0 in•lb	3.3 ft•lb	6.7 ft•lb	11.8 ft•lb

